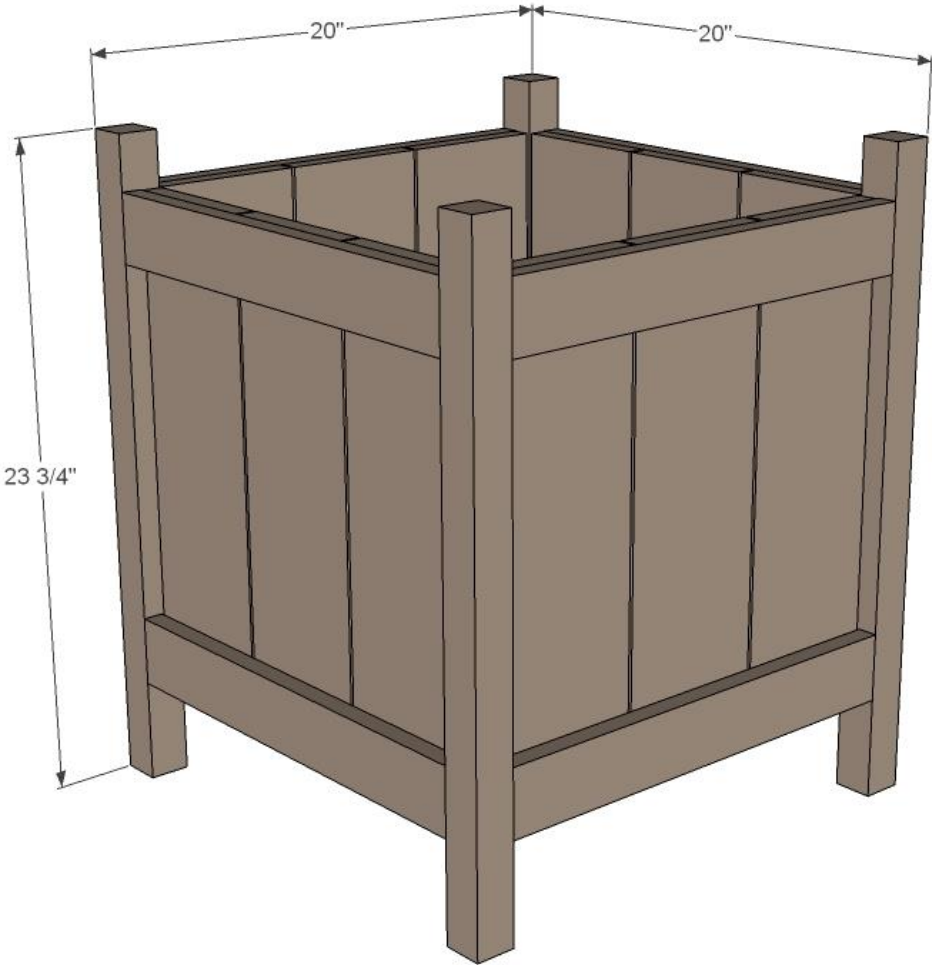


Fence Picket Planter Plans



Dimensions



Dimensions shown above.

Preparation

SHOPPING LIST

2 - 1x3 @ 8 feet long

1 - 1x2 @ 8 feet long

3 - 5 1/2" wide x 72" long cedar fence pickets

1 - 2x2 @ 8 feet long

2 1/2" exterior pocket hole screws

1 1/4" exterior screws or galvanized nails

exterior wood glue

CUT LIST

10 - 1x3 @ 17"

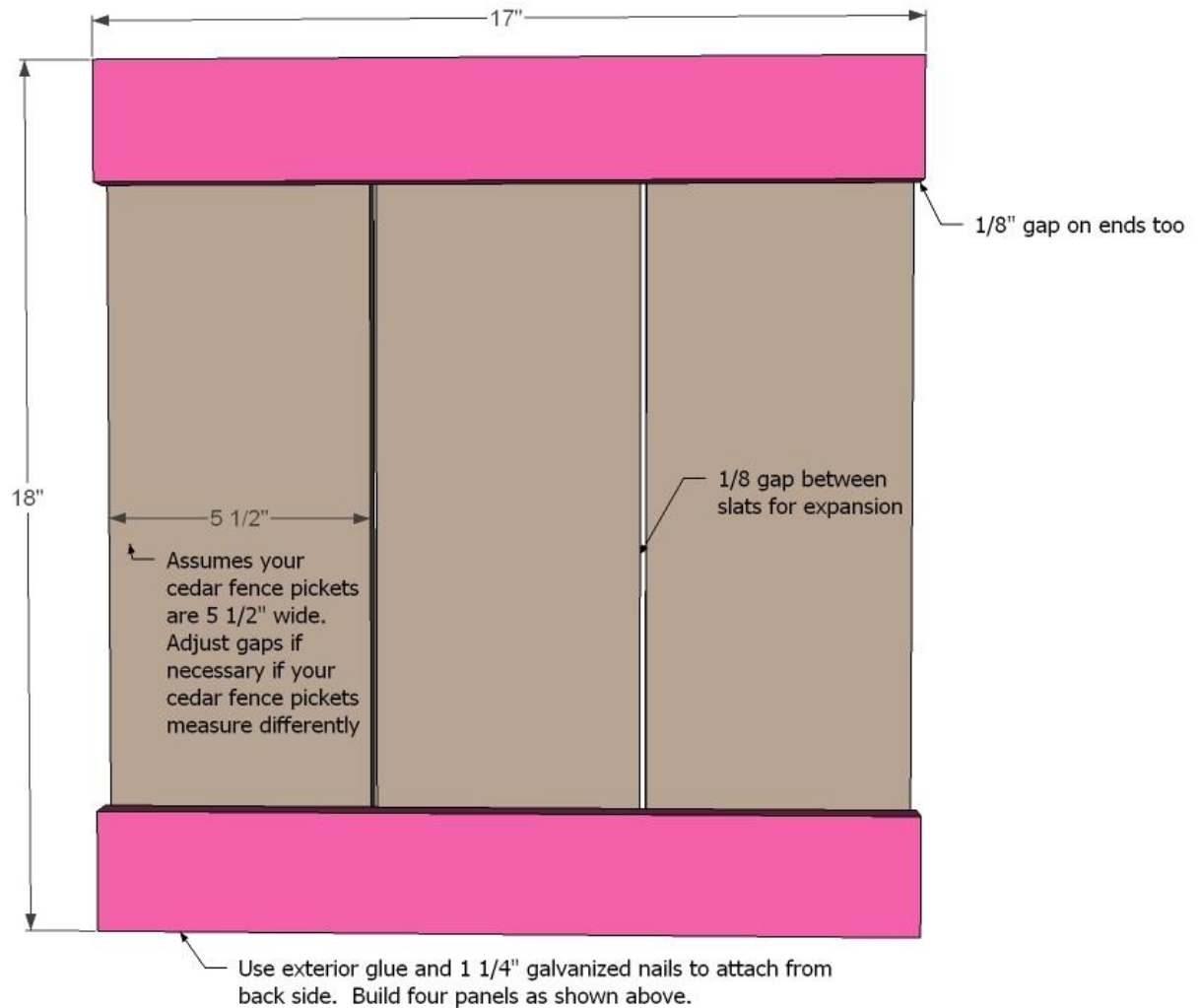
5 - 1x2 @ 17"

4 - 2x2 @ 23 3/4"

12 - cedar fence pickets @ 17 3/4" long (shortened by 1/4" from diagrams to allow for saw blade width and dog-eared end)

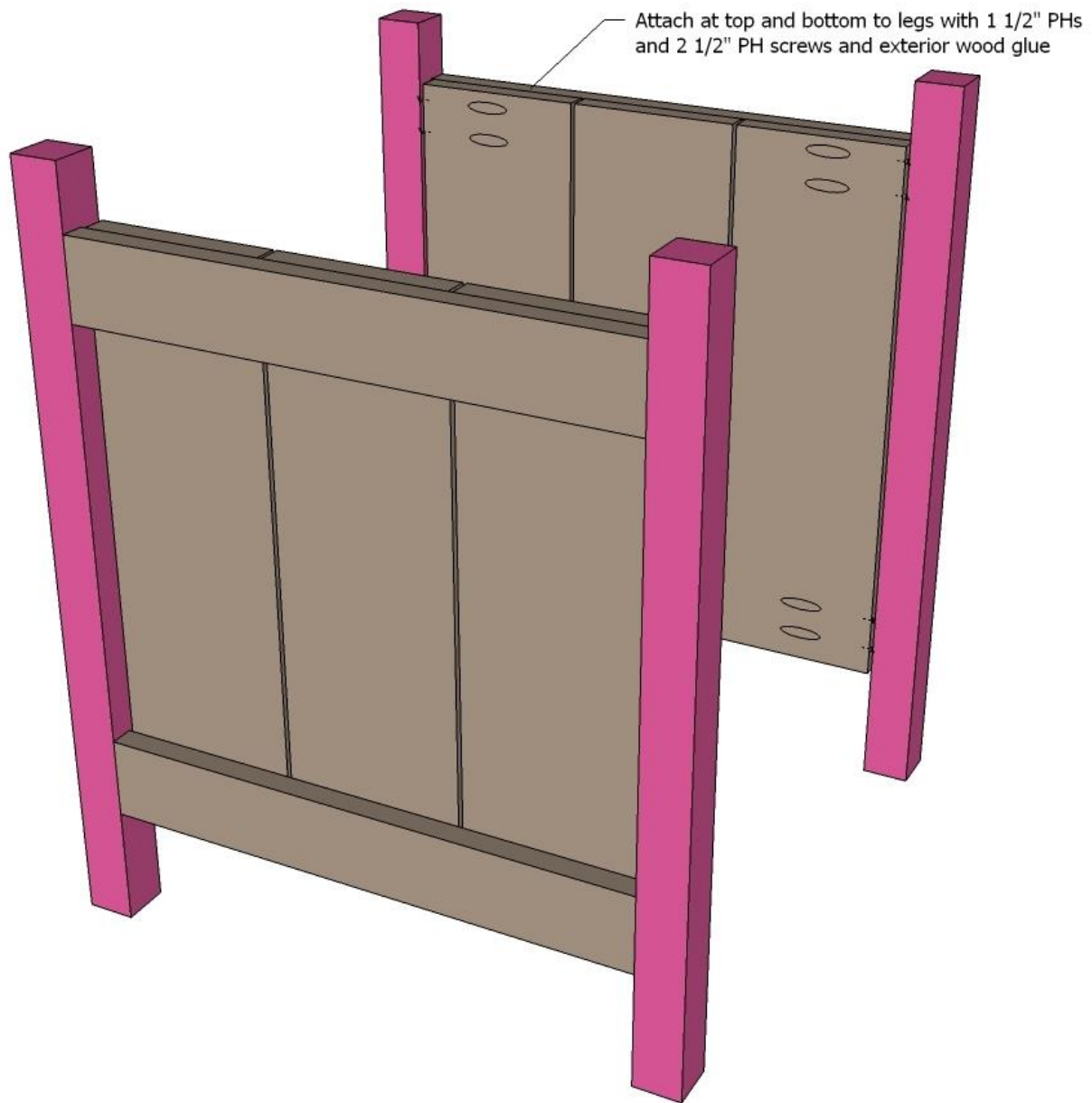
Instructions

STEP 1



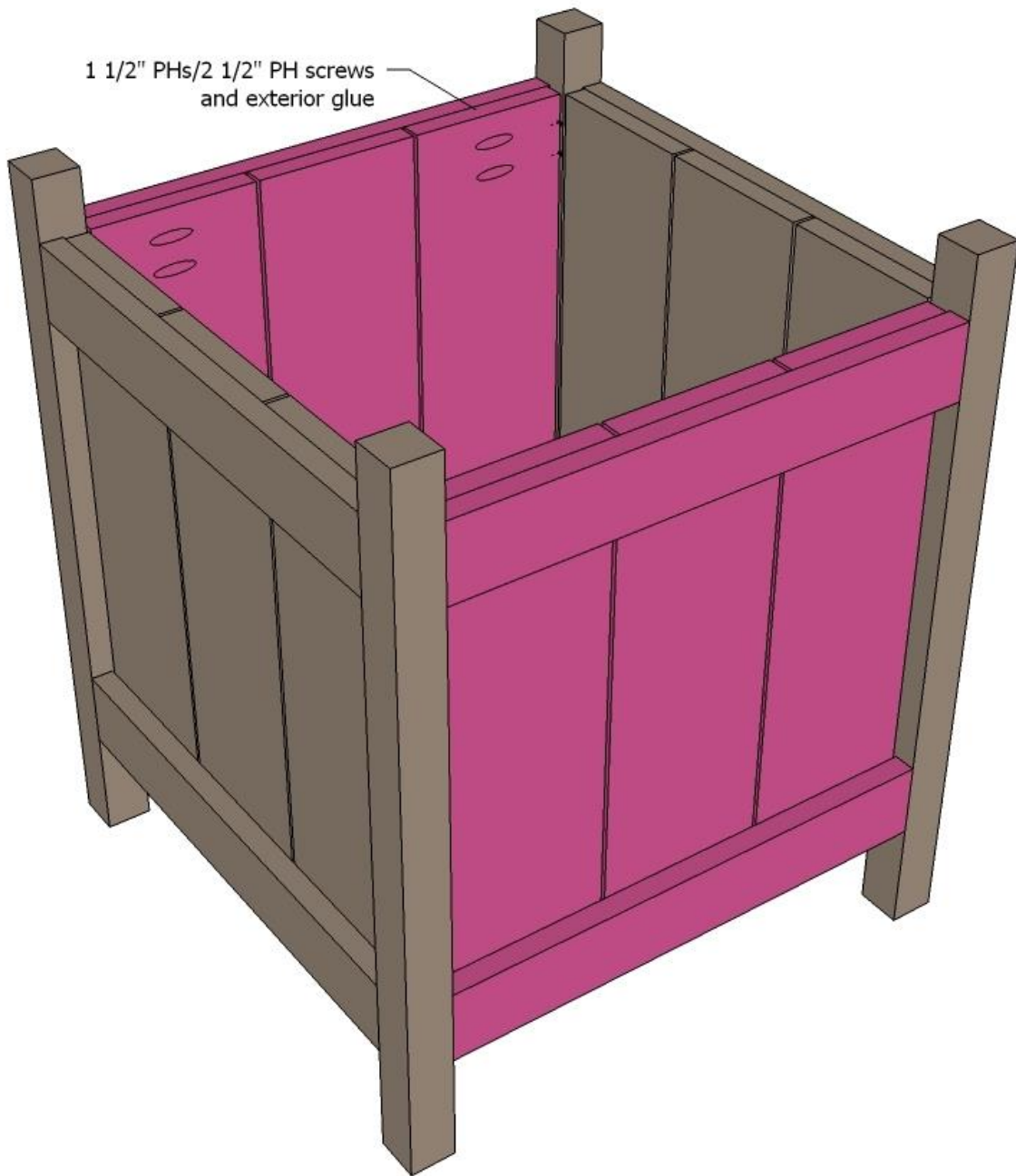
Start by first building your four panels. I sized this plan to allow for an 1/8" gap between the cedar pickets as they will shrink/expand with moisture and let's just face it - the cedar fence pickets are not going to be perfect! I used 1 1/4" galvanized nails and exterior glue from the insides.

STEP 2



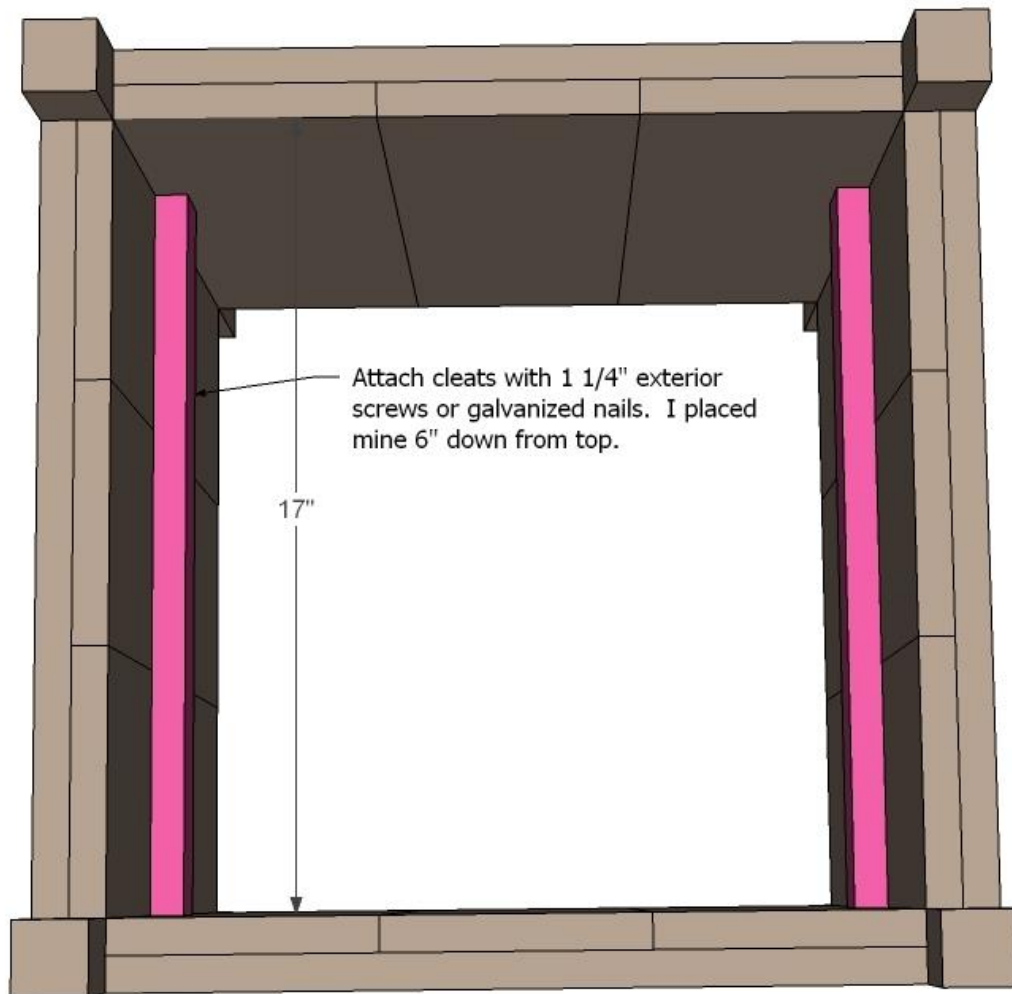
On all four of your panels, drill 2 - 1 1/2" pocket holes on the inside, behind each 1x3 on the ends. This will put screws through the fence pickets, 1x3s and then into your legs. Join two of the panels to the legs as shown in diagram.

STEP 3



And then add the remaining two panels to create your planters. Adjust for square.

STEP 4



Now do not think that this whole planter needs to be filled with dirt!!! Unless you are planning on harvesting potatoes in there! I put my bottom 6" down from the top to keep the planter lighter and use less dirt. Start by attaching cleats to sides at desired height.

STEP 5

Lay what boards you have leftover down as slats to hold the planter container or cover with gardener's cloth and fill with topsoil and plants.

