

# Fence Picket Birdhouse



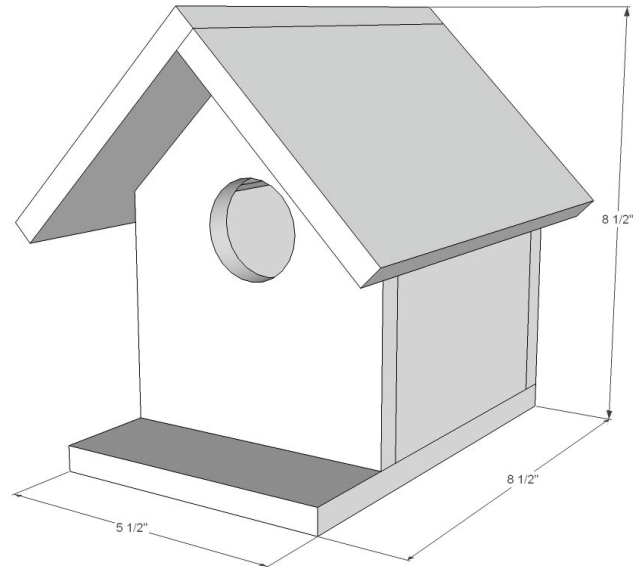
## SHOPPING LIST

- 1 - 5 1/2" x 1/2" thick fence picket
- 1 1/4" finish nails
- Glue suitable for cedar

## CUT LIST

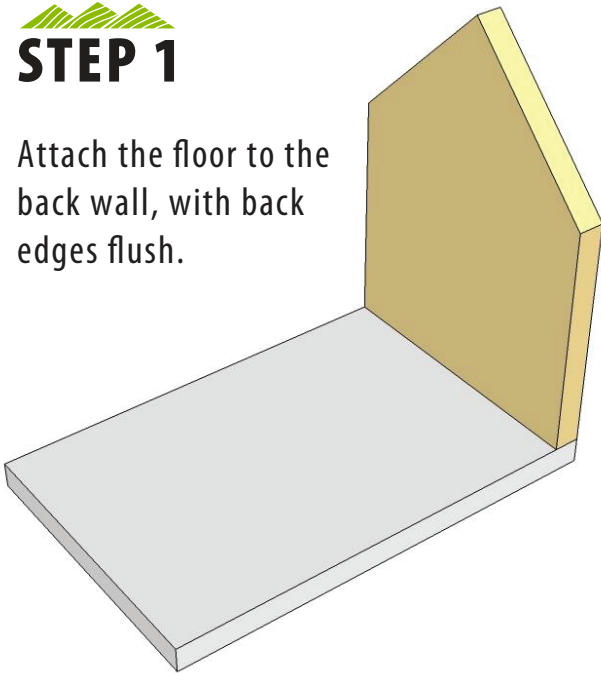
Cut from the Fence Picket:

- 2 - 7 1/4" (front and back - longest point, cut the top corners off at a 45-degree angle to make a house shape)
- 2 - 4 1/4" (side walls - these are short to allow venting inside birdhouse)
- 3 - 8 1/2" (floor and roof pieces. Rip 1/2" off one edge (cutting with the grain the long way) of one board for the shorter roof piece - see step 4)



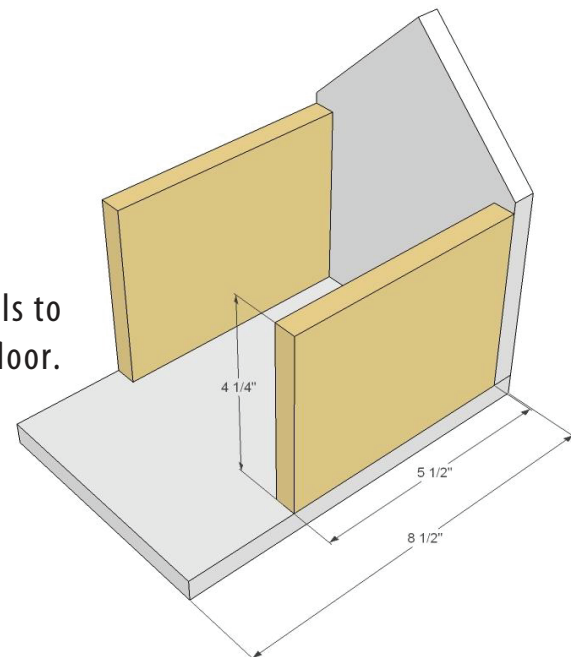
## STEP 1

Attach the floor to the back wall, with back edges flush.



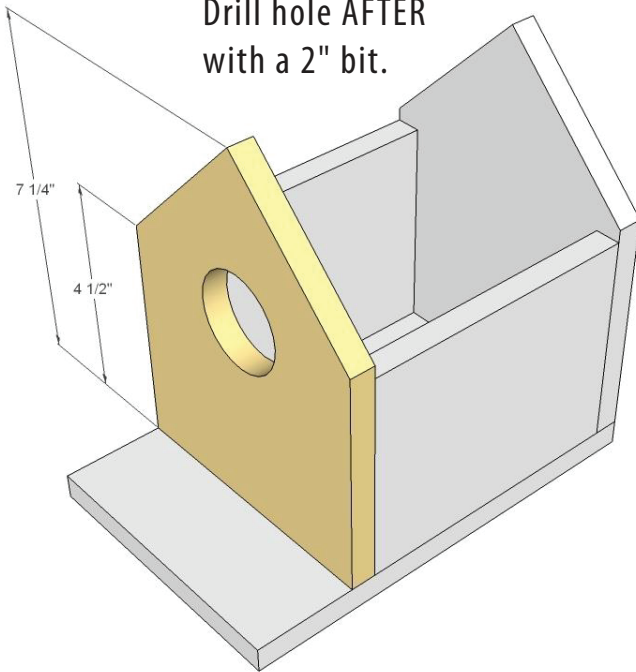
## STEP 2

Attach side walls to back wall and floor.



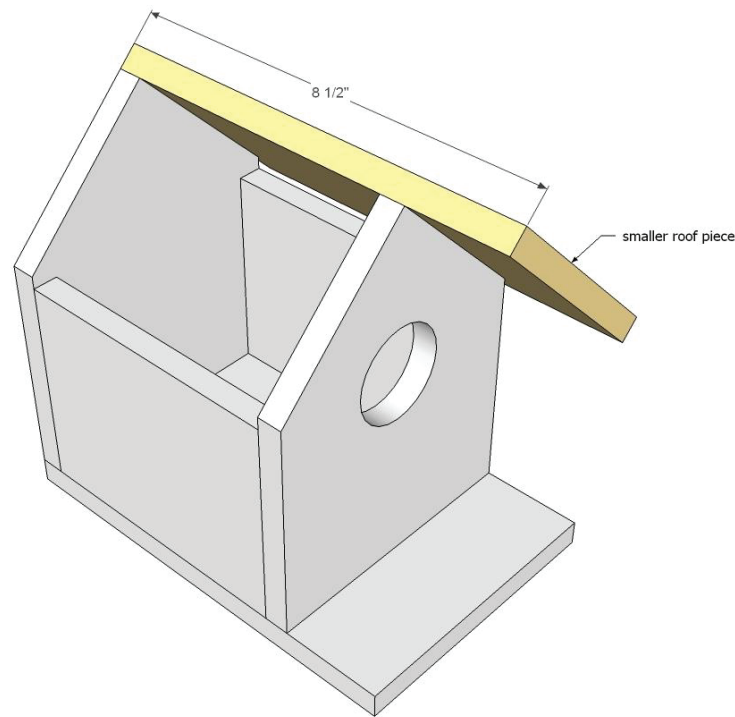
### STEP 3

Attach front wall to sides and floor. Drill hole AFTER with a 2" bit.

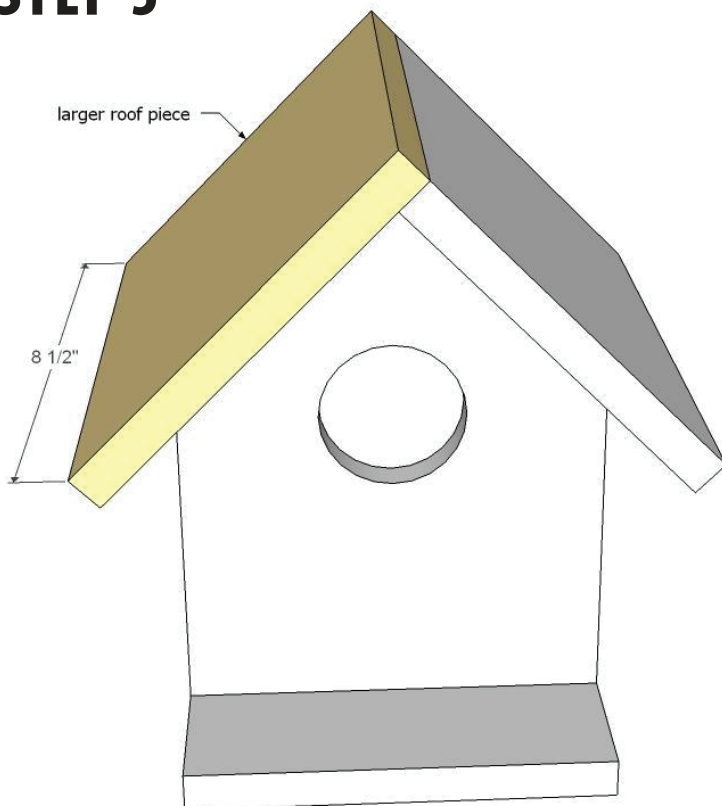


### STEP 4

Use the piece with 1/2" ripped off one long side. Attach to front and back top edges.



### STEP 5



### Finishing/Preparation Instructions

Fill all holes with wood filler and let dry. Apply additional coats of wood filler as needed. When wood filler is completely dry, sand the project in the direction of the wood grain with 120 grit sandpaper. Vacuum sanded project to remove sanding residue. Remove all sanding residue on work surfaces as well. Wipe project clean with damp cloth.