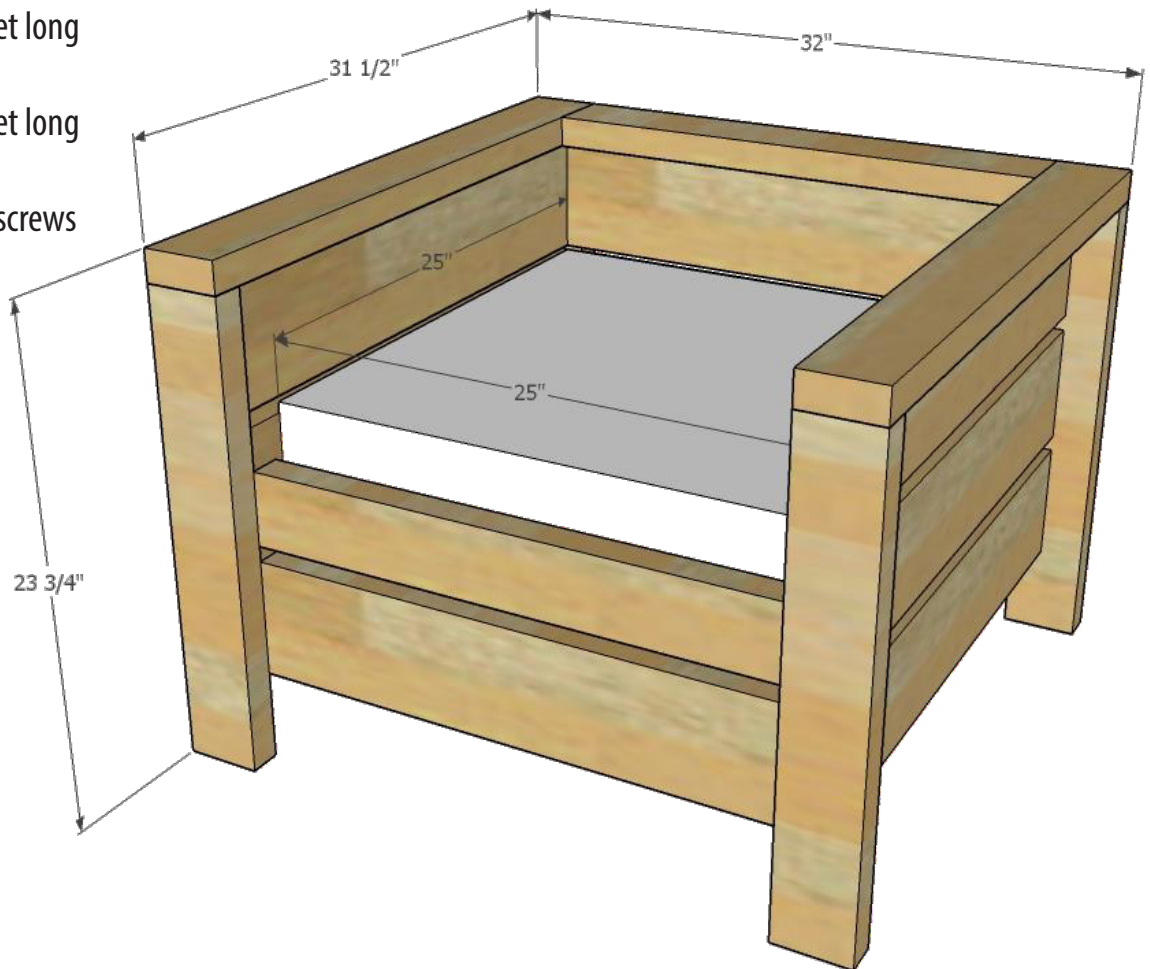


Modern Outdoor Chair



SHOPPING LIST

- 4 - Culpeper 2x4 @ 8 feet long
- 4 - Culpeper 2x6 @ 8 feet long
- 2 ¾" self-tapping deck screws
- 25" x 25" seat cushion
(can also adjust plans to fit any size cushion)
- Exterior Glue

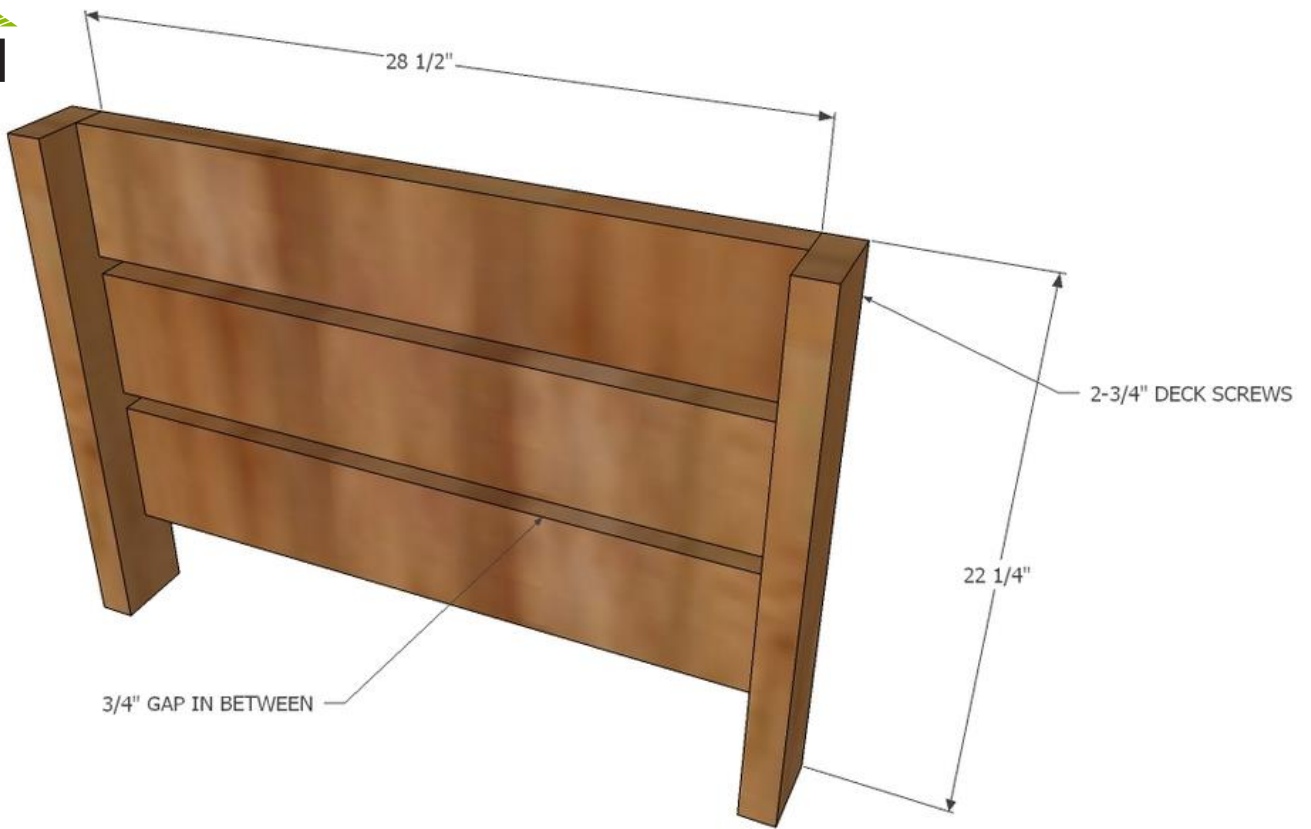


CUT LIST

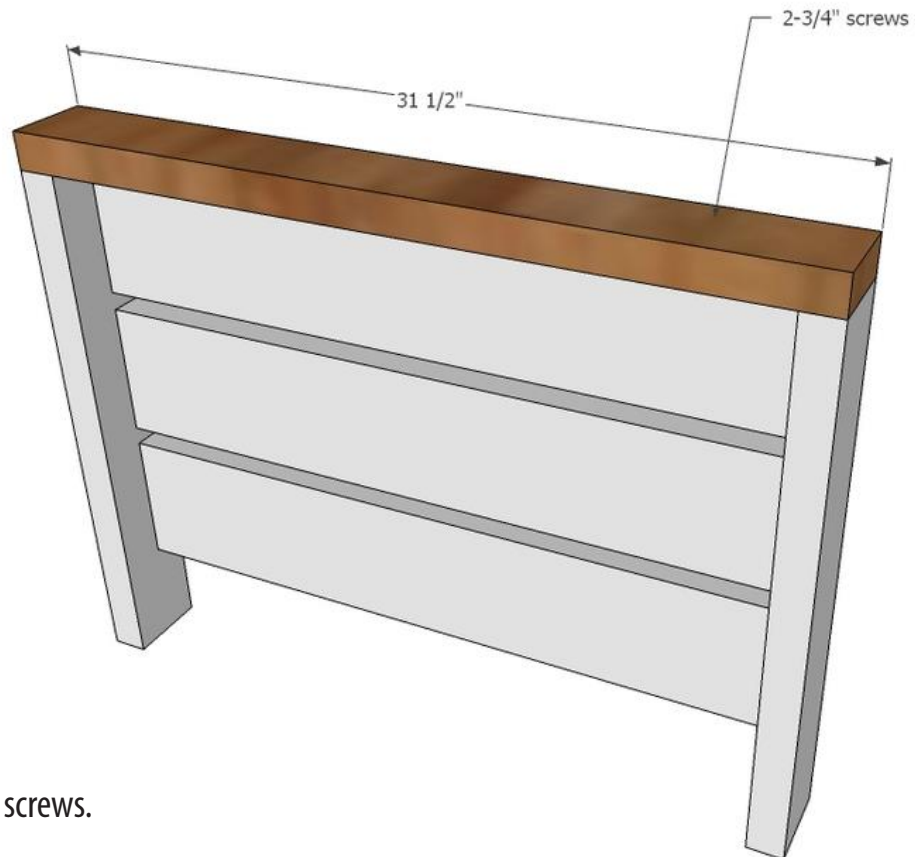
CUT LIST PER ONE CHAIR, DESIGNED TO FIT 25" x 25" CUSHION

- 4 - 2x4 @ 22-1/4" - Legs
- 6 - 2x6 @ 28-1/2" - Side Slats
- 2 - 2x4 @ 31-1/2" - Arm Rests
- 4 - 2x6 @ 25" - Front and Back Slats
- 2 - 2x4 @ 25" - Front Top Slat and Back Top
- 2 - 2x2 @ 25-1/2" - Inside Cleat
- 5 - 2x4 @ 25" - Seat Slats (can get away with just 4)

STEP 1



Use 2 - 2 3/4" or longer screws and exterior wood glue to attach legs to the longer 2x6 boards, with 3/4" spacing in between. Recommend two screws per joint.

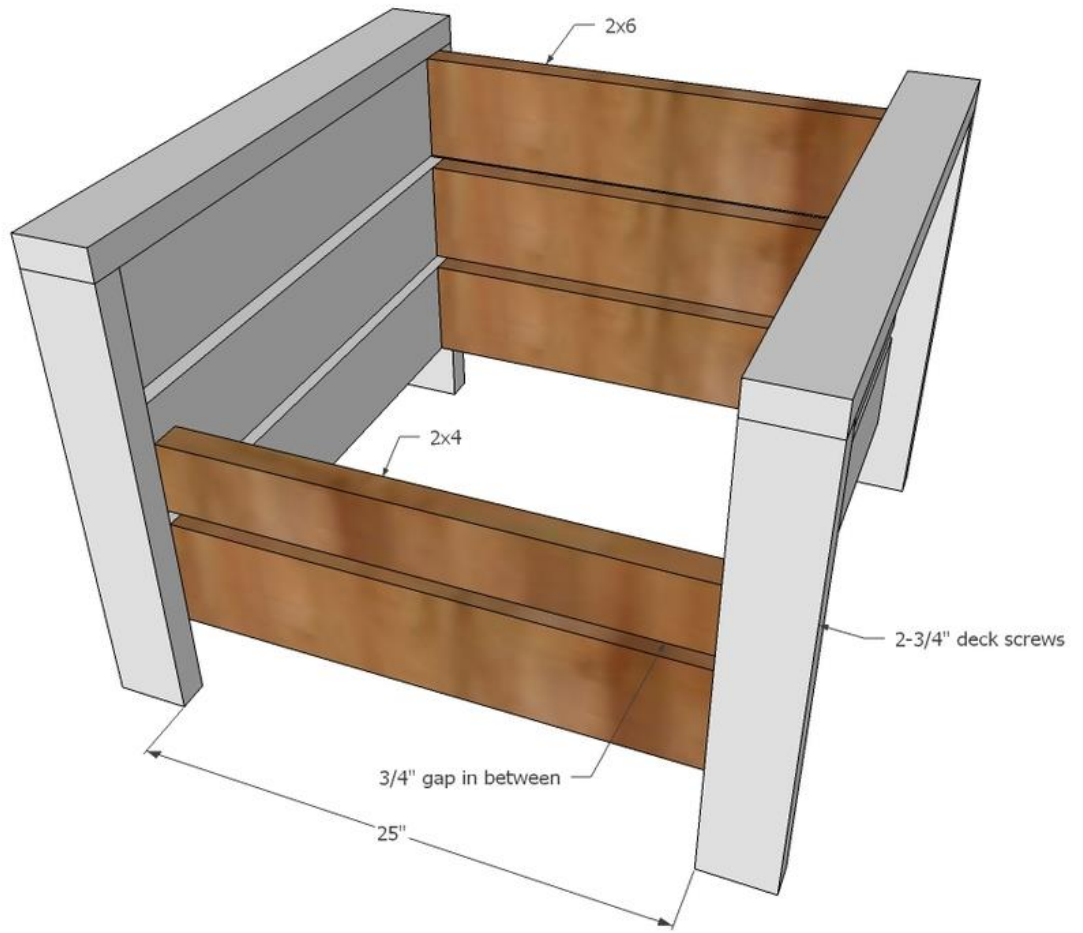


STEP 2

Attach top with glue and 2 3/4" screws.

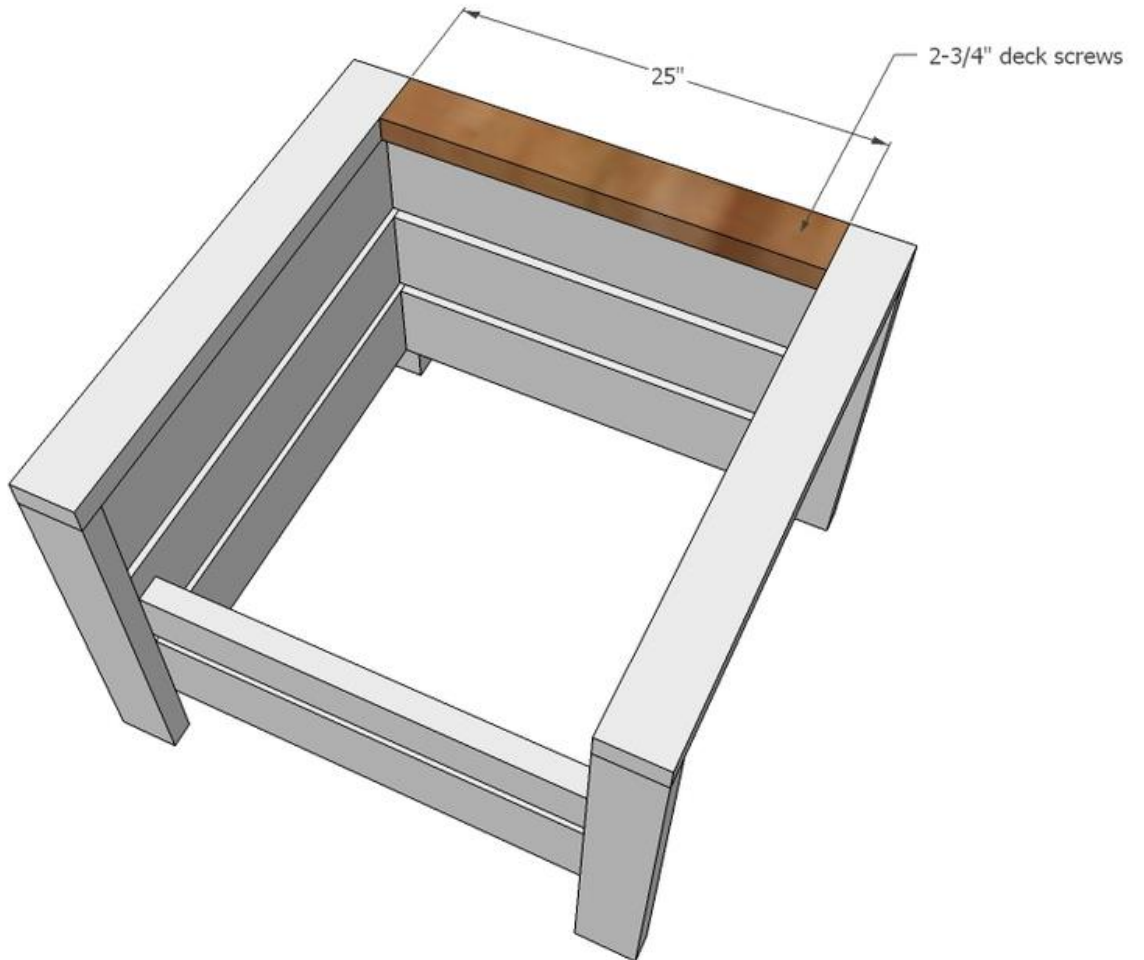
STEP 3

Attach front and back slats to arms to create the frame of the chair.

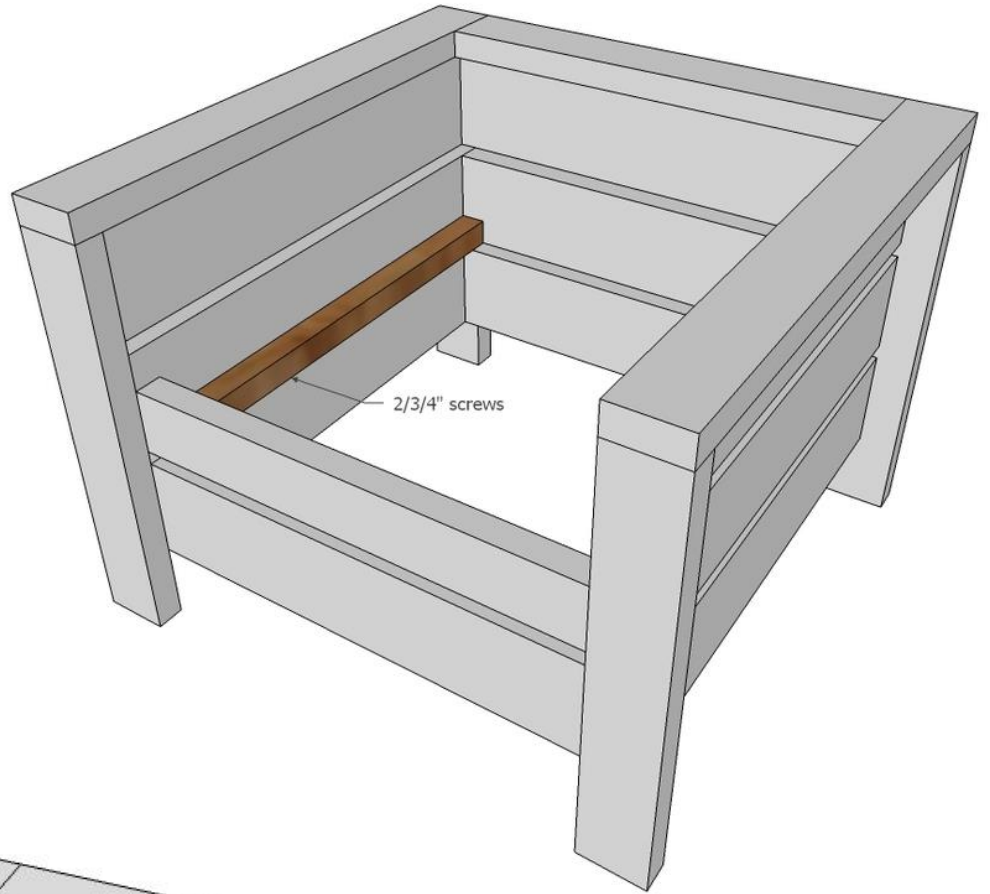


STEP 4

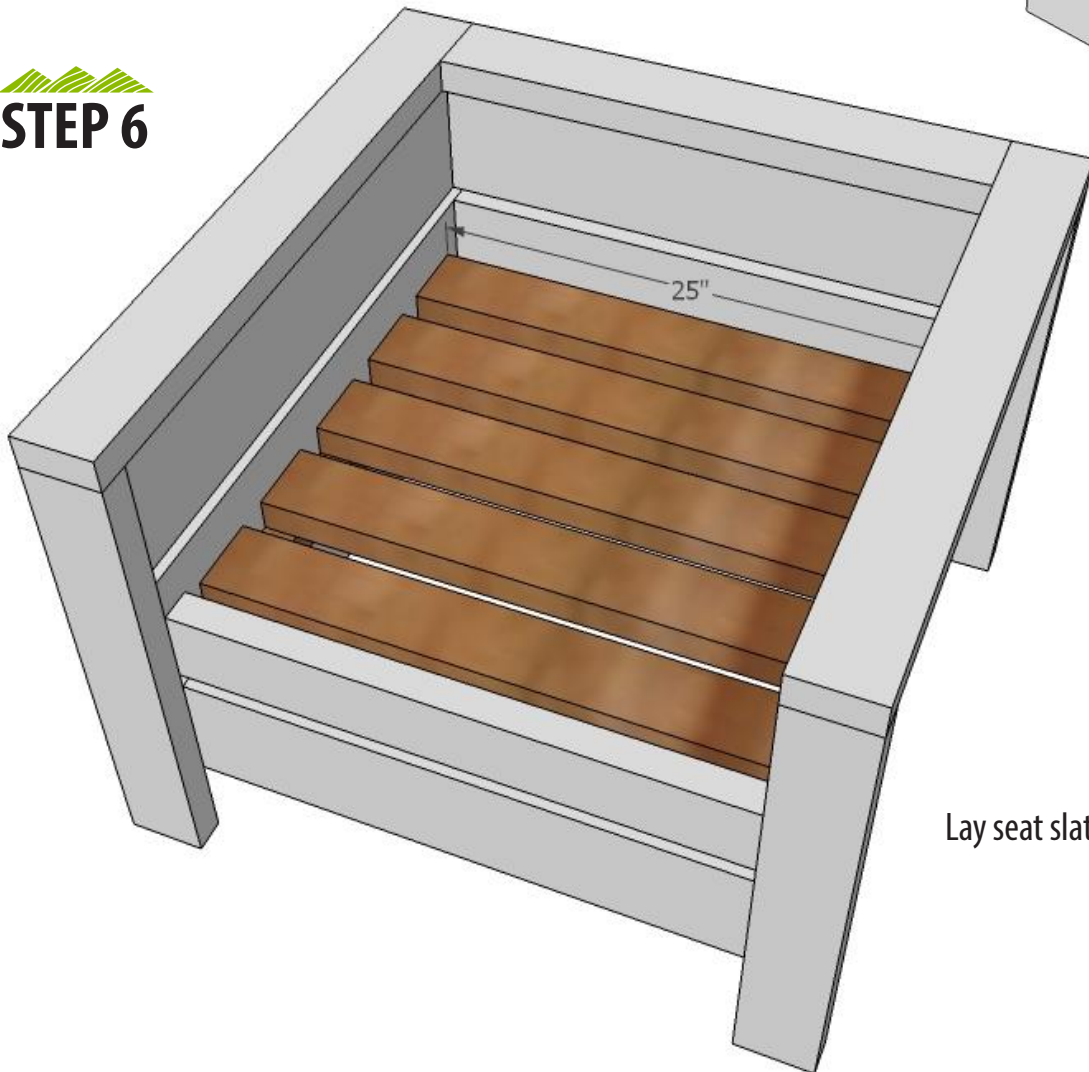
Attach back top piece \ screws and glue.



STEP 5



STEP 6



Lay seat slats on cleats and screw down.