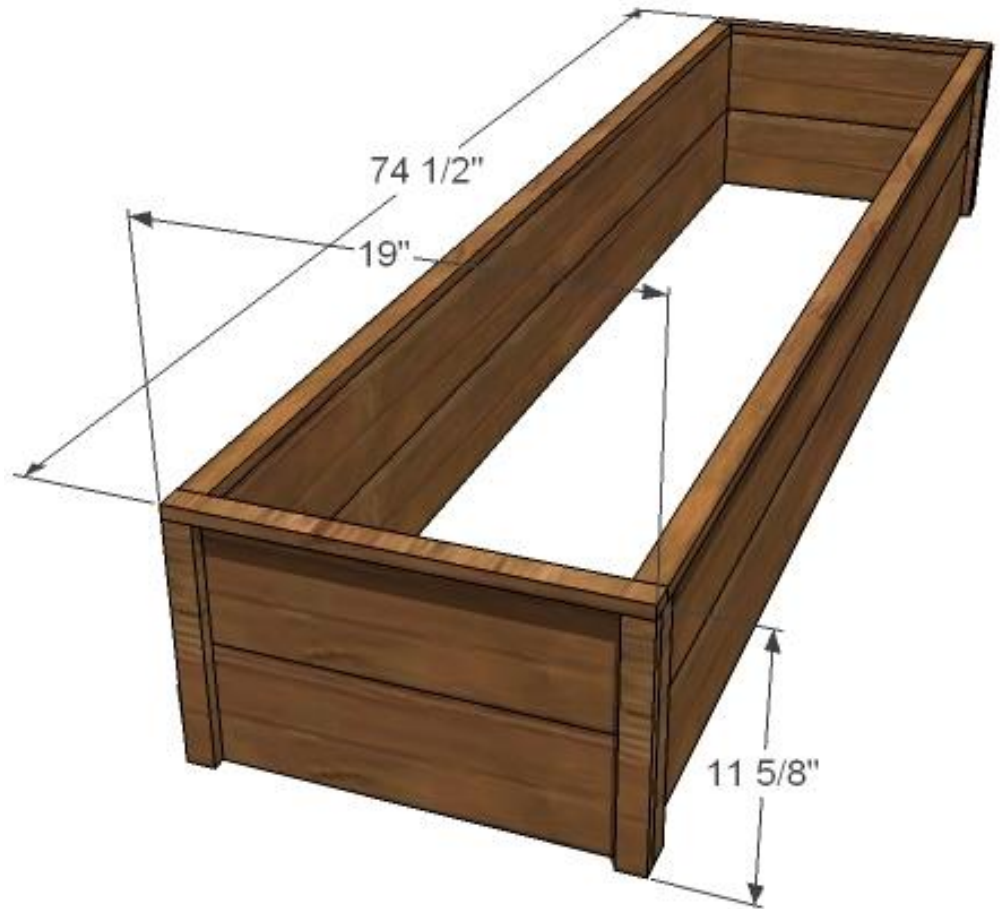


Raised Garden Bed



Shopping list

- 6 - Fence Pickets
- 1x2 boards for corners
- 1" Screws
- 2" Screws
- Wood Glue
- Finishing supplies
- Garden stakes or concrete stakes



Cut List

- 4 – 1×6 Fence Pickets @ 72" (Side Panels, you can trim the dog ear off and work with a 71" Fence post)
- 8 – 1×2 Fence Pickets @ 11" (Corner Posts)
- 4 – 1×6 Fence Pickets @ 17 3/4" (End Panels)

Optional Top Trim - CUT TO FIT

- 2 – 1×2 Fence Pickets @ 72" (Top Trim, non-dogearred from the center of the cuts)
- 2 – 1×2 Fence Pickets @ 19" (Top Trim, Ends)

General Instructions

Considerations for Size Modifications:

If you alter the dimensions of the beds, work with your materials to make sure you have the least waste.

For example, make end panels a fence picket cut in half for a 6 foot by 3-foot garden bed.

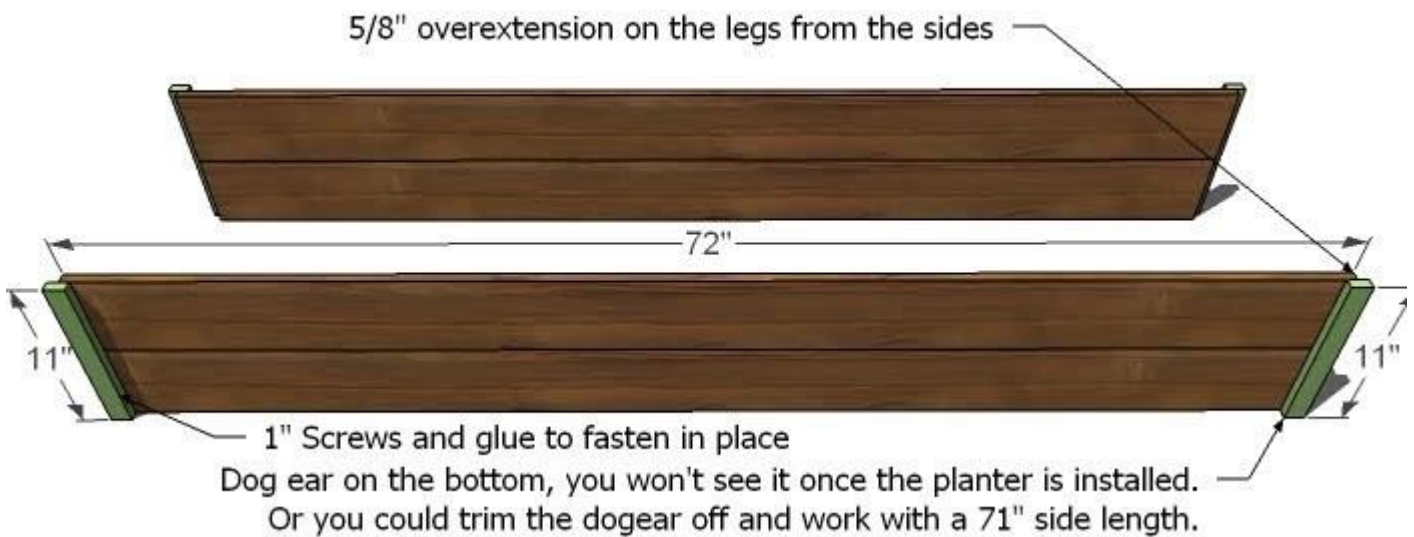
STEP 1

Rip one fence post into 4 – 1 ¼" wide strips, by setting your table saw to 1 ¼"

If you do not have a table saw, you can use 1×2 cedar boards.



STEP 2



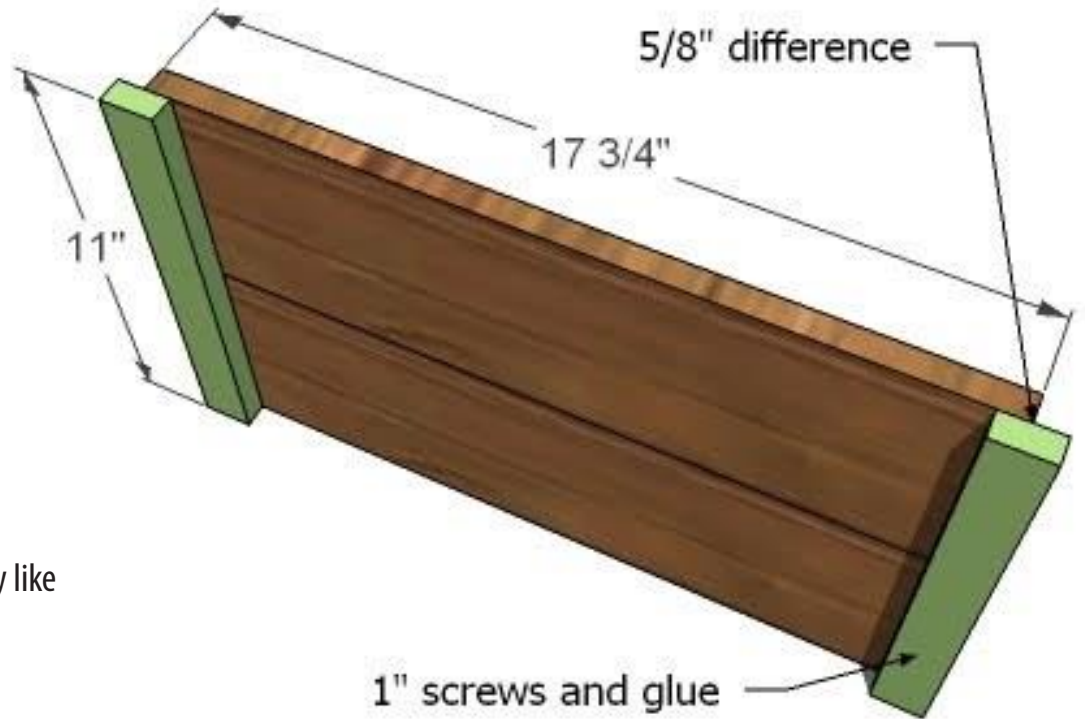
Side Panels:

Use 1" screws and glue to put together side panels as shown.

The post will overextend the sides by 5/8".

Optional: use Kreg Jig™ to join the boards together in the center or use a 1x2 in the center.

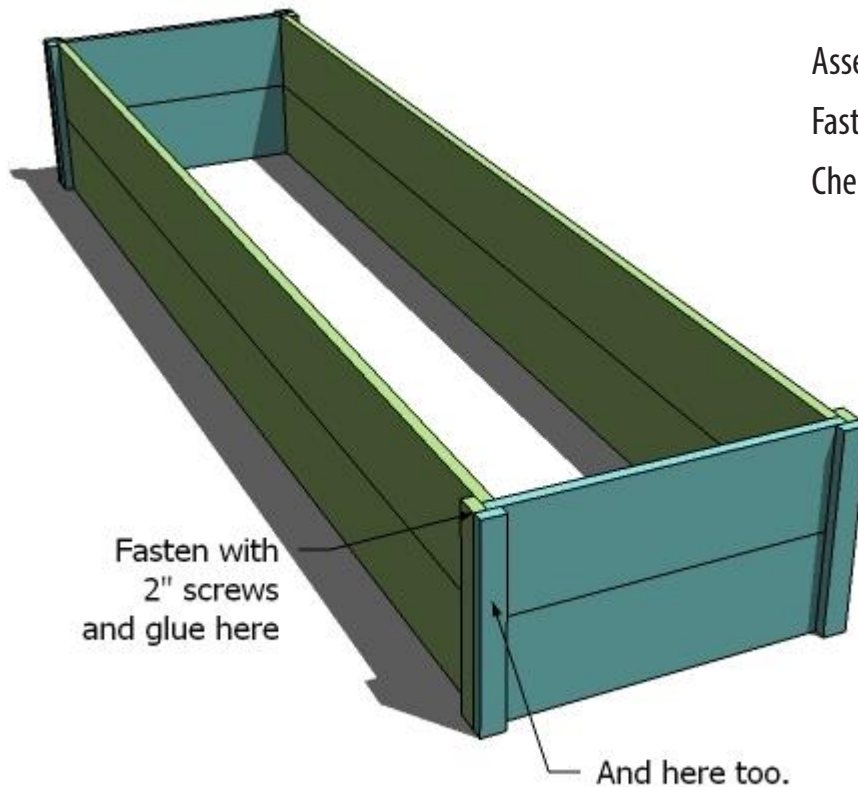
STEP 3



End Panels:

Build your end panels exactly like side panels.

STEP 4

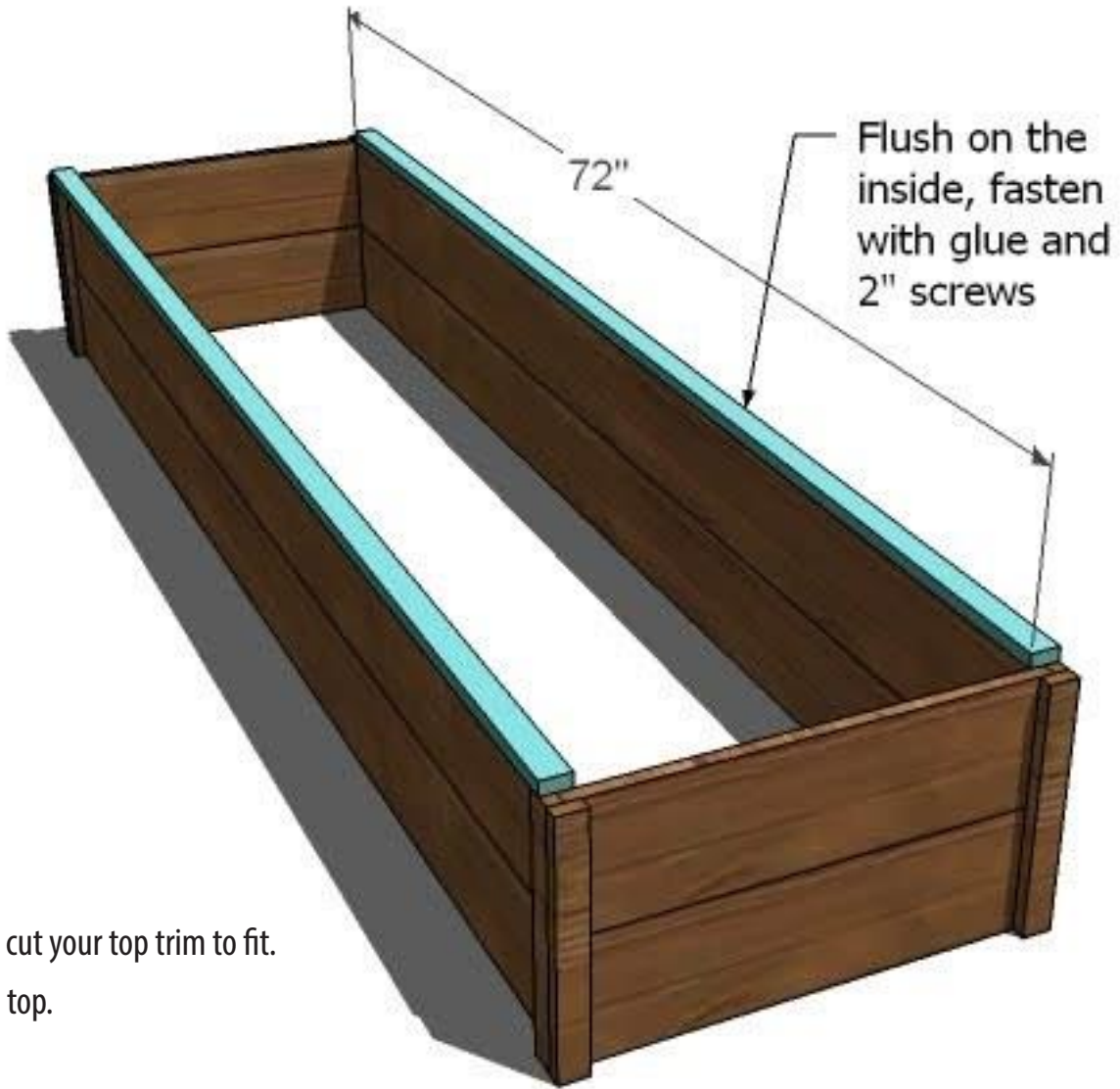


Assembling the Panels:

Fasten with 2" screws and glue.

Check for square.

STEP 5



OPTIONAL:

Measure and cut your top trim to fit.

Attach to the top.